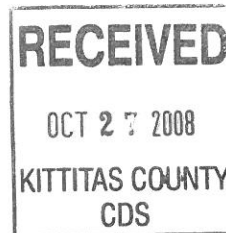




To Protect and Promote the Health and the Environment of the People of Kittitas County

October, 24 2008



Paul Kylo  
2863 Howard Road  
Ellensburg, WA 98926

RE: Howard Road Short Plat (SP-08-00048) submission fee received (\$380.00/receipt #3426)

Dear Mr. Kylo:

We have received the application for your proposed Plat (located in Section 31, Township 19 N, Range 18 E.W.M., off of Howard Road).

Enclosed is a checklist and detailed instructions for completing the Environmental Health requirements.

***Your plat application will not be approved until you meet the enclosed requirements.***

Once we have received and reviewed the required information, we will notify Community Development Services that you have satisfactorily addressed health department requirements.

If you have any questions or concerns, please feel free to contact our office.

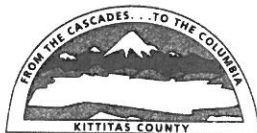
Sincerely,

A handwritten signature in cursive script that reads "Holly Myers".

Holly Myers, Environmental Health Director  
Kittitas County Public Health Department

cc: Community Development Services, Cruse & Associates

Enc: Checklist, Instructions for Completing EH Requirements, Soil Log Requirements



## Checklist

***Prior to receiving approval*** of the above listed plat you must meet WAC 246-272-205(1) and WAC 246-272-095(1) by:

1. Proving there is an adequate supply of potable water

*Choose and follow instructions for one of the five following options:*

**Group “A” public well**

Provide written approval from Washington State Department of Health

**Group “B” public well**

Schedule a well site inspection or site inspection with Public Health as the first step toward approval of a group B system (the Group B system must be approved prior to plat approval)

**Individual wells**

Provide a well log or hydrogeological report to prove adequate ground water exists for the proposed number of potable water wells (see page 4). If a well log is used provide potable water test results.

**Shared two-party well**

Submit existing well log and a water user’s agreement signed by both parties

**Public utility water supply**

Submit a signed letter of agreement from a public utility official

AND

2. Proving satisfactory sewage disposal

*Choose and follow instructions for one of the two following options:*

**On-site sewage**

You must schedule a soil log and prepare the site (dig holes)

**Public utility sewer**

You must submit a signed letter of agreement from the public utility official

# Instructions for Completing Environmental Health Requirements

## I. ADEQUATE POTABLE WATER SUPPLY:

### PUBLIC UTILITY WATER SUPPLY APPLICANTS

Submit a signed letter of agreement with the responsible public utility official and the developer/owner, granting delivery of potable water for the entire development.

### PUBLIC WATER SYSTEMS

All Public Water System applicants must contact a Satellite Management Agency (SMA) before initiating the application process. Evergreen Valley Utilities (509) 674-9642 and Lookout Mountain Utilities Management (509) 674-6989 are the current SMAs.

#### PUBLIC GROUP “A” WELL

If you have an existing well and a Department of Ecology issued “water right” for potable usage of the well, Washington State Department of Health (DOH) is the regulatory authority for approving Group A systems. We require written verification that DOH has approved the system prior to final plat approval (see contact information below). If you have not secured a water right for potable use you must contact the Washington State Department of Ecology (Central Region Office) located in Yakima, Washington to begin the process of obtaining a water right. Their contact number is: (509) 575-2800.

#### PUBLIC GROUP “B” WELLS

Washington State Department of Health and Kittitas County Public Health Department share the regulatory authority for approving Group B Water Systems in Kittitas County. The process for approval includes a source site inspection to approve the location of the proposed well or if the well exists to ensure that it meets the criteria for approval; drilling of the well and/or ensure that the well is located within the subdivision boundaries; completion of the well infrastructure, the workbook and all related documentation including testing and satisfactory results.

**\*\*All Group B applications with 3-9 connections should be submitted to Kittitas County Public Health Department; all Group B applications 10-14 connections should be submitted to Washington State Department of Health at the addresses provided below.**

Kittitas County Public Health Department  
Environmental Health Division  
411 N. Ruby Street, Suite 3  
Ellensburg, WA 98926  
(509) 962-7698

Washington State Department of Health  
1500 W. 4<sup>th</sup>, Suite 305  
Spokane, WA 99204  
(509) 456-2453  
ATTN: Tom Justus, Regional Engineer

After all of the aforementioned information is submitted, reviewed, and approved by Washington State DOH, final issuance of the well ID number completes the requirement.

## **INDIVIDUAL WELLS**

Submit well logs or a hydrogeological report with documentation/evidence to support the claim regarding adequate availability of groundwater for the proposed number of potable water wells. This report shall be submitted by a Professional Engineer who practices in the field of hydrology or by a licensed Hydrogeologist. According to Critical Areas Ordinance 17A.08.25, individual wells must be located 50 feet from all property lines. To obtain well logs, contact Department of Ecology at (509) 575-2490.

**After July 8, 2008** all applicants for subdivision (short and long plats) utilizing wells shall have a note placed on the face of the final mylars that states:

*"The approval of this division of land includes no guarantee that there is a legal right to withdraw groundwater within the land division. The approval of this division of land provides no guarantee that use of water under the ground water exemption (RCW 90.44.050) for this plat or any portion thereof will not be subject to curtailment by the Department of Ecology or a court of law. "*

### **AND**

*"Metering will be required on all residential well connections and metering results shall be recorded in a manner consistent with Kittitas County and Washington State Department of Ecology requirements."*

## **II. SATISFACTORY SEWAGE DISPOSAL**

### **PUBLIC UTILITY SEWER**

Submit a signed letter of agreement between the responsible public utility official and the developer/owner or other documentation that provides proof of connection to public sewer.

### **ON SITE SEWAGE**

Soil logs will need to be scheduled and dug at a mutually convenient time. The developer/owner shall provide soil logs as per WAC 246-272A or as amended (see attached soil log instruction sheet). The information obtained will be recorded and placed in the plat file for future reference. The information obtained from these soil logs is for plat approval purposes only and does not constitute a site evaluation in conjunction with the issuance of a permit for any specific lot.

### **SET BACK REQUIREMENTS**

A well must be located 50 feet from a septic tank and 100 feet from a drain field.

## **Soil Log Requirements for Land Division**

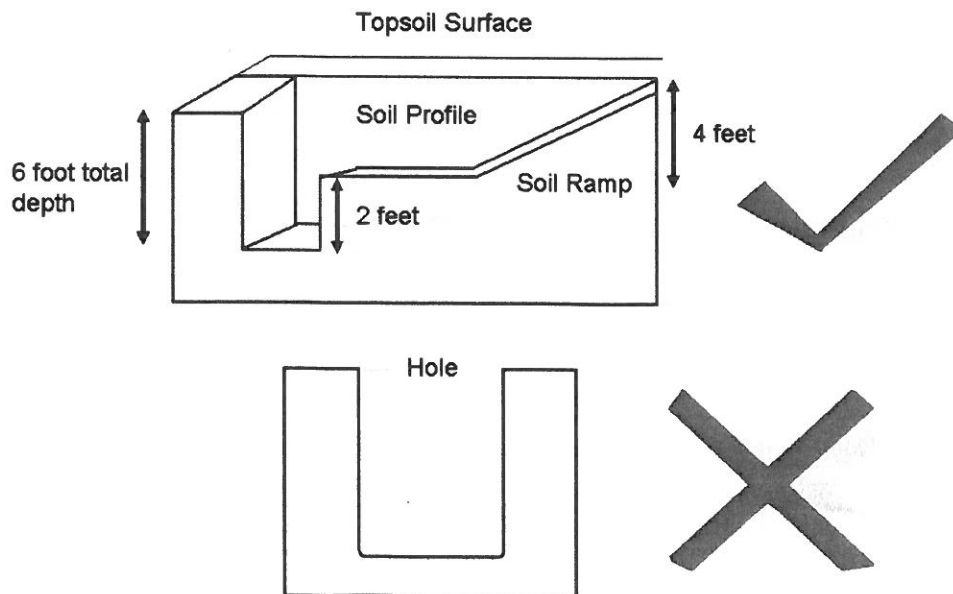
**Purpose:** The purpose of a soil log is to ensure that future property owners can be assured that they will be able to install a septic system on the property. A soil log is performed to

ensure that suitable depth and type of soil is present on the property prior to final plat approval.

Since the type of soil and water source supplying the property can ultimately determine the minimum lot size, it is recommended that soil logs be conducted early in the plat planning process.

**Requirements:** In order for a soil log to be conducted, test holes must meet specific criteria according to Washington Administrative Code (WAC), Kittitas County Code (KCC) and Labor and Industries safety standards.

- 1) A minimum of one soil log per lot shall be dug to a depth of six feet, unless an impermeable layer such as bedrock, hardpan clay, or the existing water table prevents such a depth from being obtained. In some instances, additional holes may be required to determine if the minimum standards for septic support are present on the lot.
- 2) The design of a test hole shall be sloped to four feet beneath surface, leveled and then dug down an additional two feet for a total depth of six feet (see the diagram below for reference). Such a test hole is designed to prevent possible injury as a result of the surrounding soil bank collapsing into the test hole and to grant the local health officer ease of access to the soil profile.
- 3) In order to sub-divide property at least twelve inches of native, suitable soil must be present at the time the soil log is performed.
- 4) A soil log does not constitute a site-evaluation. A site evaluation determines the type of septic system required. A soil log only determines whether soils present on the property can support a septic system.



**Minimum Land Area Requirements:** According to the WAC 246-272 the minimum land area requirement from a public health perspective for subdivision of property is determined by the source of the drinking water and the soil type present to support an on-site sewage system (Table X). These guidelines have been put in place to protect human health and the environment from the potential health hazards that an on-site sewage system imposes. The type of water source available and soil type present must be determined by the local health officer. However, other minimum land area requirements may be subject to local government zoning regulations and restrictions, and it is advisable that property land owners seek advice from Community Development Services at (509) 962-7506 for assistance in this area.

**TABLE X**  
**Minimum Land Area Requirement**  
**Single-Family Residence or Unit Volume of Sewage**

Type of Water Supply	Soil Type (defined by WAC 246-272A-0220)					
	1	2	3	4	5	6
Public	0.5 acre	12,500 sq. ft.	15,000 sq. ft.	18,000 sq. ft.	20,000 sq. ft.	22,000 sq. ft.
	2.5 acre <sup>1</sup>					
Individual, on each lot	1.0 acre	1 acre	1 acre	1 acre	2 acres	2 acres
	2.5 acres <sup>1</sup>					

<sup>1</sup> See WAC 246-272A-0234(6).

**Other Considerations:** Since open holes present a potential danger to people, livestock, wild animals, and vehicles, it is advisable that such a hole be roped off or covered to prevent unwanted entry or marked to caution and facilitate finding. After the soil log has been performed the hole may be filled in by the property owner or contractor to eliminate the potential hazard.

**Scheduling a soil log:** Currently, soil logs are performed on a weekly basis by an Environmental Health Specialist. To schedule a soil log please contact the Environmental Health Office at 411 N. Ruby Street (509) 933-8261 to arrange an appointment.